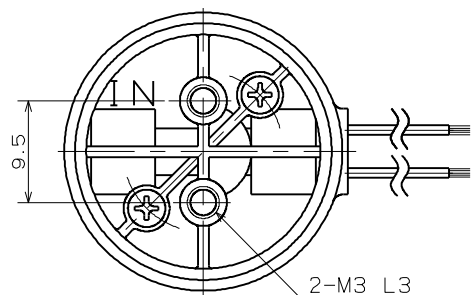
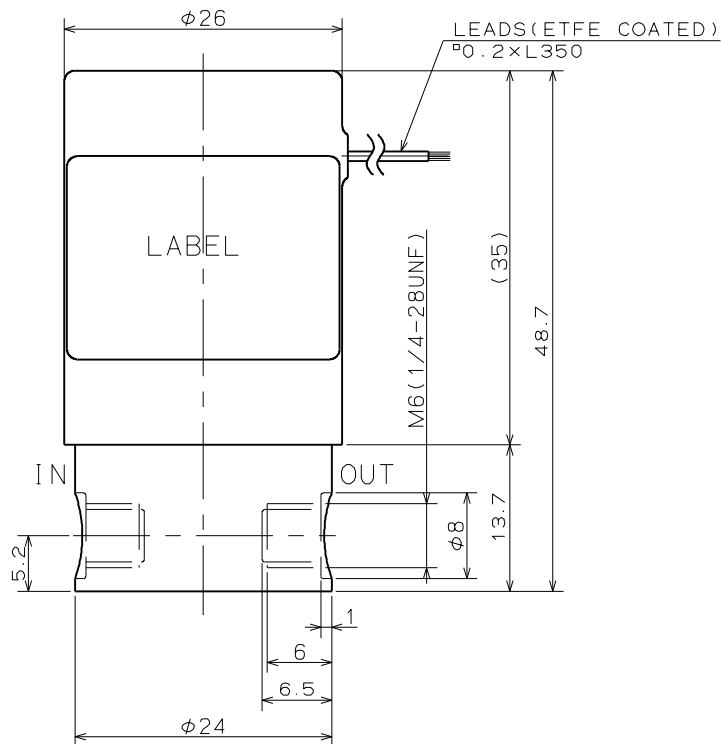


FOR REFERENCE ONLY



## SOLENOID VALVE

SPECIFICATIONS for MODEL MTV-2R-NM6(1/4U)G-7

ORIFICE DIAMETER	: 2mm
PORT CONNECTION	: M6, 1/4-28UNF
OPERATING PRESSURE RANGE	: IN        -90 ~ 250kPa
	: OUT        0 ~ 150kPa
FLUID MEDIA	: FLUIDS CHEMICALLY COMPATIBLE WITH MATERIALS BELOW
MEDIA TEMPERATURE RANGE	: 5 ~ 60°C
AMBIENT TEMPERATURE RANGE	: 5 ~ 60°C
RATED VOLTAGE	: 12VDC, 24VDC
POWER CONSUMPTION	: 2.6W
DUTY CYCLE	: CONTINUOUS
COIL TEMPERATURE INCREASE	: MAX. 50°C FROM ROOM TEMPERATURE
INSULATION CLASS	: CLASS B
DIELECTRIC STRENGTH	: 1500VAC FOR 60s

NOTE

PORT CONNECTION	MODEL NUMBER
M6	MTV-2R-NM6G-7
1/4-28UNF	MTV-2R-N1/4UG-7

### WETTED MATERIALS

PART NAME	MATERIAL	REQD.	NOTE
DIAPHRAGM	PTFE	1	
SOFT SEAL	DAIEL®PERFLUOR	1	
VALVE BODY	PPS	1	
SOLENOID VALVE			
MTV-2R-NM6(1/4U)G-7			